

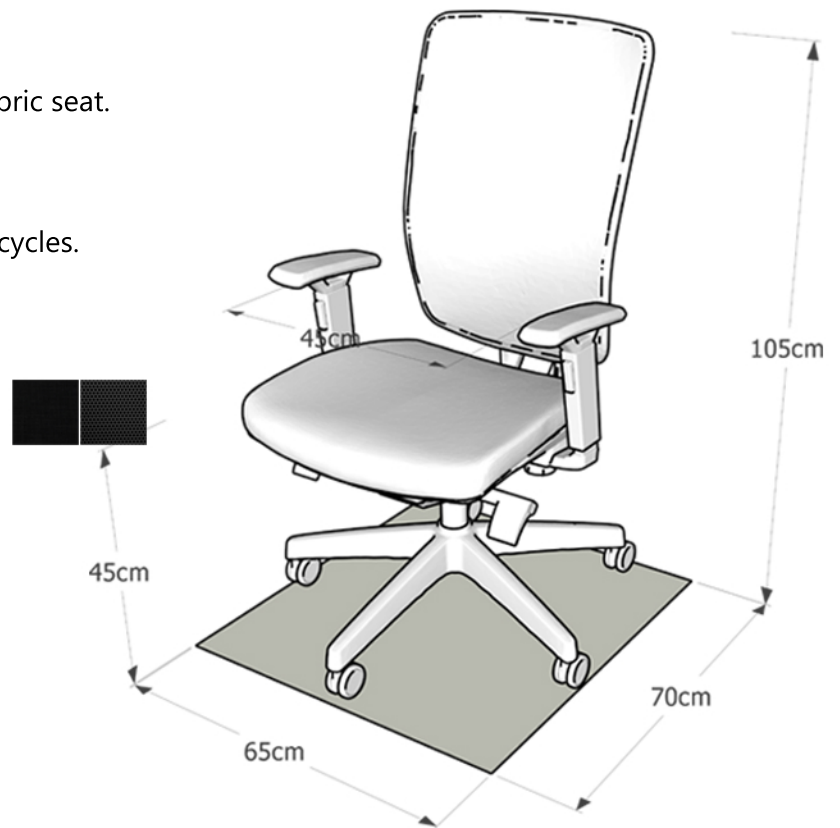
CODE: **CH01**

Task (Employee) Chair

- Medium back Swivel chair.
- Mesh back with lumbar support, fabric seat.
- Adjustable height.
- Adjustable armrest.
- Hard floor castors.
- Tested fabric: min. 5000 resistance cycles.

Finish & Colors

- Black fabric and mesh.



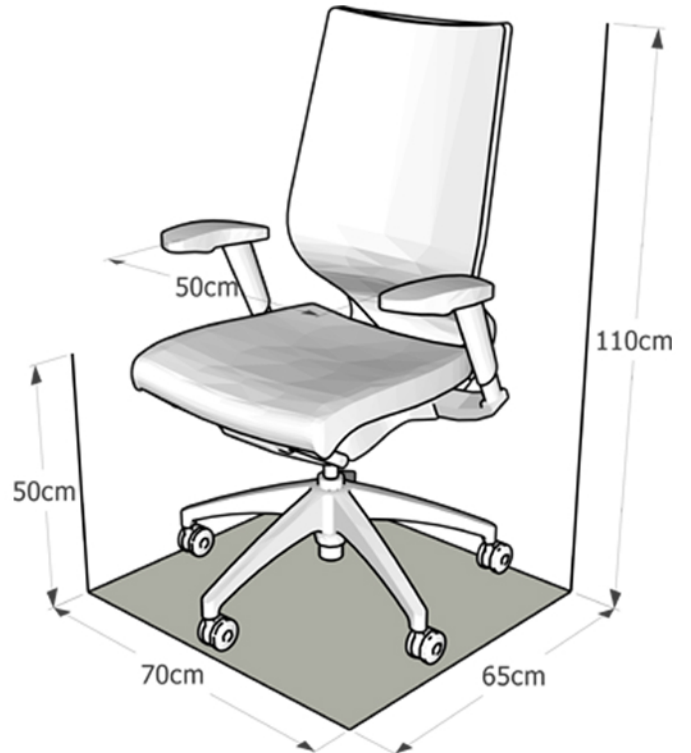
CODE: **CH02**

Manager Chair

- High back Swivel chair.
- Mesh back with lumbar support, fabric seat.
- Adjustable height.
- Adjustable armrest.
- Hard floor castors.
- Tested fabric: min. 5000 resistance cycles.

Finish & Colors

- Black fabric and mesh.



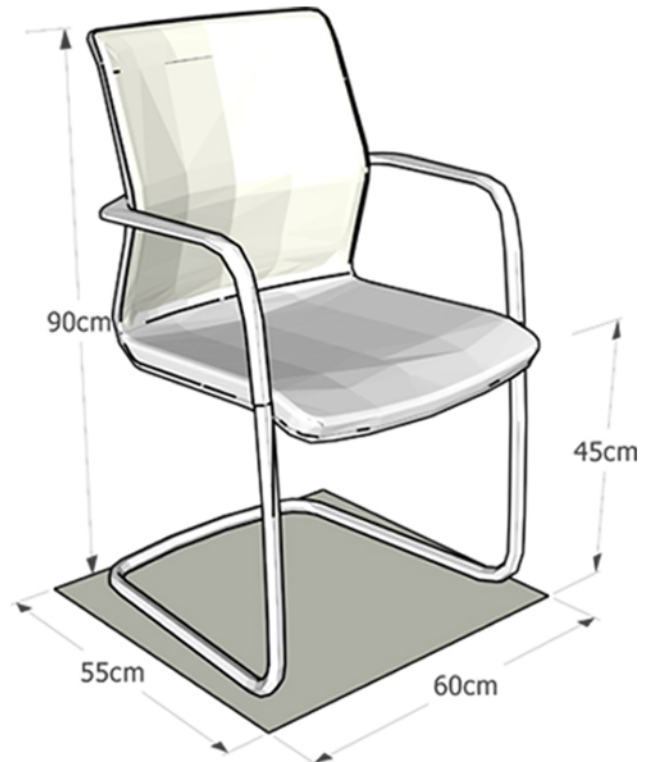
CODE: **CH03**

Visitor Chair

- Low back visitor chair.
- Mesh back with lumbar support, fabric seat.
- Armrest.
- C base or four legs.
- Tested fabric: min. 5000 resistance cycles.

Finish & Colors

- Black fabric and mesh.



CODE: **CH04**

Counter Chair

- Medium back chair.
- Mesh back with lumbar support, fabric seat.
- Tested fabric: min. 5000 resistance cycles.
- Hard floor castors.
- Seat height adjustment from 58 to 84 cm.
- With armrest.

Finish & Colors

- Black fabric, mesh & metal.



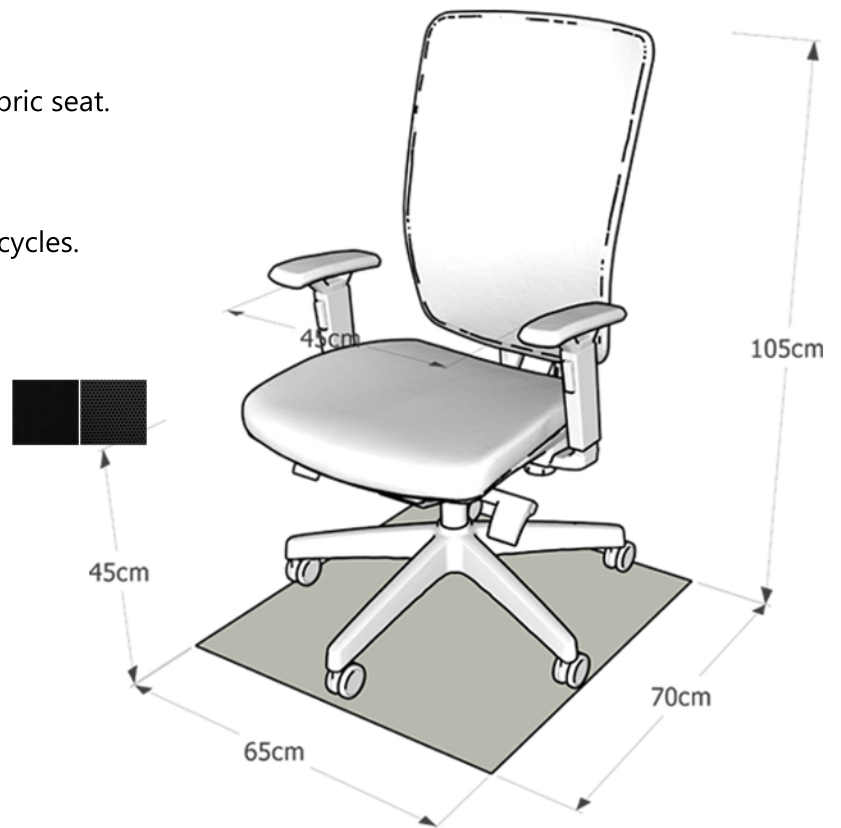
CODE: **CH05**

Computer Chair

- Medium back Swivel chair.
- Mesh back with lumbar support, fabric seat.
- Adjustable height.
- Adjustable armrest.
- Hard floor castors.
- Tested fabric: min. 5000 resistance cycles.

Finish & Colors

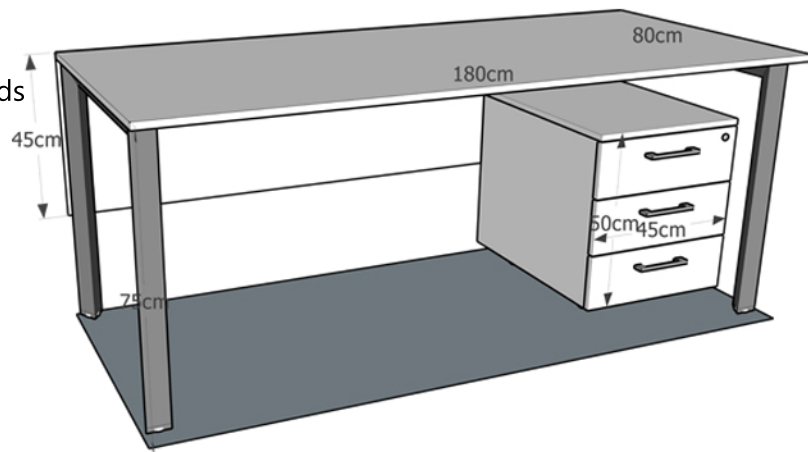
- Black fabric and mesh.



CODE: **DE01**

Manager desk

- Wooden top, made of laminated particle boards 18mm thickness.
- Metal Structure, Electrostatic powder coated.
- Cable management is required.
- Scratch resistance.
- With Modesty Panel.
- Provided with 3 drawers drawer unit.



Finish & Colors

- Wood: Brown (Top & drawers front), Beige (Body).
- Metal: Beige.

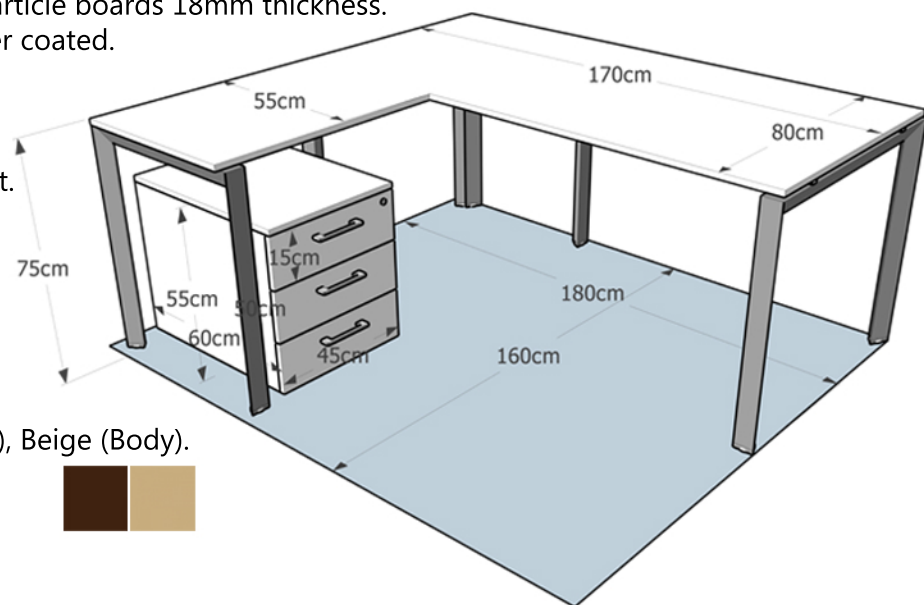


Size: 80x180x75 cm.

CODE: **DE02**

Manager desk + side (L Shape)

- Wooden top, made of laminated particle boards 18mm thickness.
- Metal Structure electrostatic powder coated.
- Cable management is required.
- Scratch resistance.
- With Modesty Panel.
- Provided with 3 drawers drawer unit.



Finish & Colors

- Wood: Brown (Top & drawers front), Beige (Body).
- Metal: Beige.



Size: 160x180x75 cm.

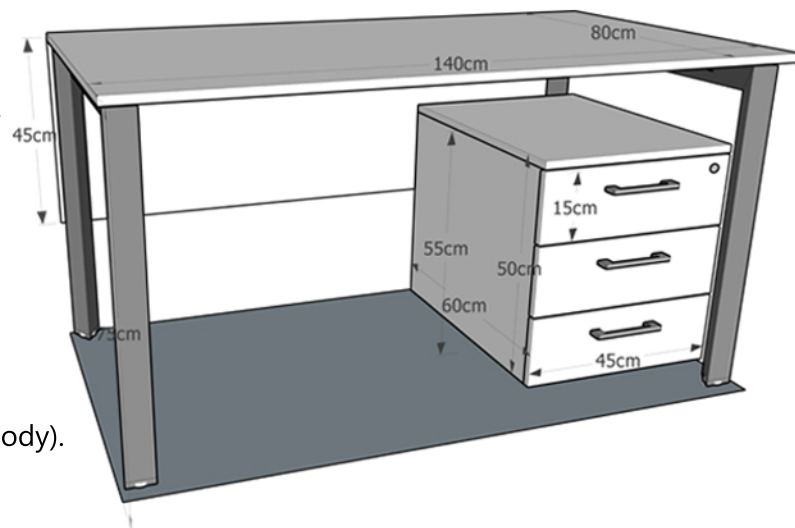
CODE: **DE03**

Senior Desk

- Wooden top, made laminated particle boards.
- Metal Structure, Electrostatic powder coated.
- Cable management is required.
- Scratch resistance.
- With modesty panel.
- Provided with 3 drawers drawer unit.

Finish & Colors

- Wood: Brown (Top & drawers front), Beige (Body).
- Metal: Beige.

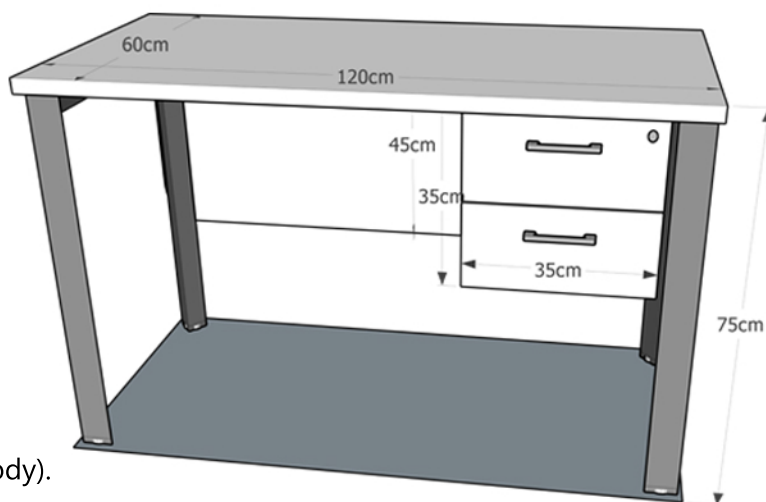


Size: 140x80x75 cm.

Employee Desk

CODE: **DE04**

- Wooden top, made of laminated particle boards 18mm thickness.
- Metal Structure, Electrostatic powder coated.
- Cable management is required
- Scratch resistance.
- With Modesty Panel.
- Provided with 2 attached drawers with lock.



Finish & Colors

- Wood: Brown (Top & drawers front), Beige (Body).
- Metal: Beige.



Size: 120x60x75 cm.

Employee Desk

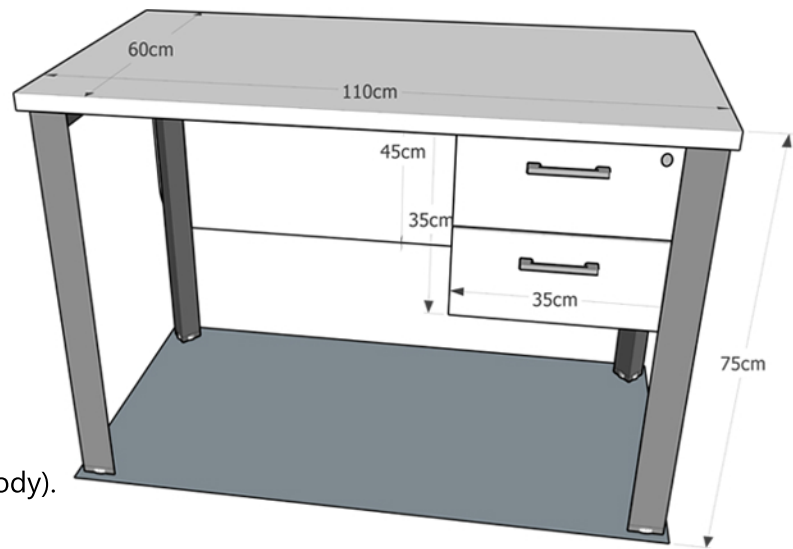
- Wooden top, made of laminated particle boards 18mm thickness.
- Metal Structure, Electrostatic powder coated.
- Cable management is required
- Scratch resistance.
- With Modesty Panel.
- Provided with 2 attached drawers with lock.

Finish & Colors

- Wood: Brown (Top & drawers front), Beige (Body).
- Metal: Beige.



CODE: **DE05**



Size: 110x60x75 cm.

CODE: **DE06**

Computer Table

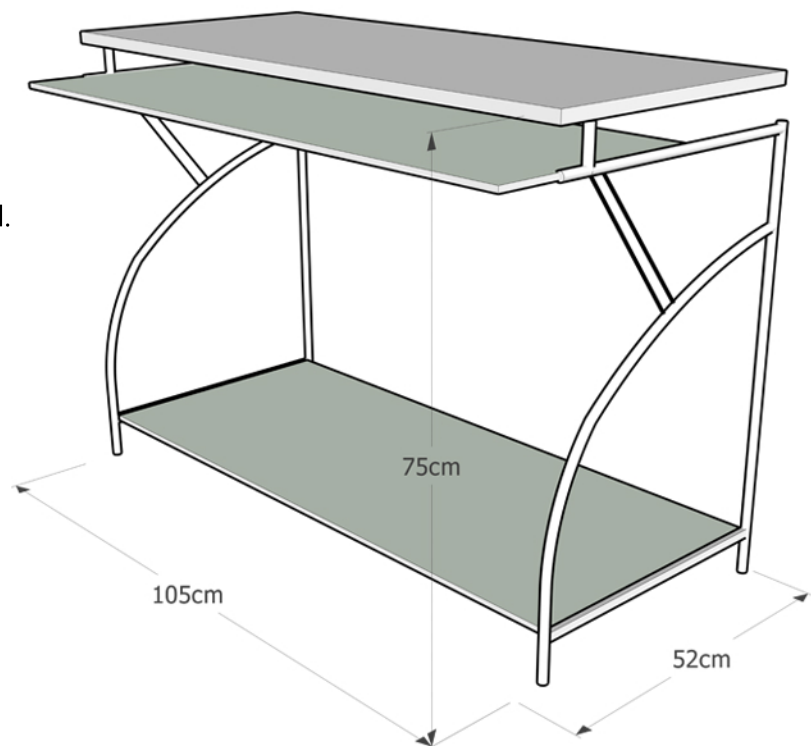
- Wooden top.
- Metal Structure, Electrostatic powder coated.
- Scratch resistance.

Finish & Colors

- Wood: Brown (Top).
- Metal: Beige.



Size: 105x52x75 cm.



CODE: **SF01****Safe**

- Personal code programmable digital lock.
- Master override key allows backup access in case is forgotten.
- 2 Steel live-locking bolts.
- Solid steel pre-resistant door and body protects against theft and unauthorized access.

Finish & Colors

- Color: Black.

**Size: 50x55x70 cm.**

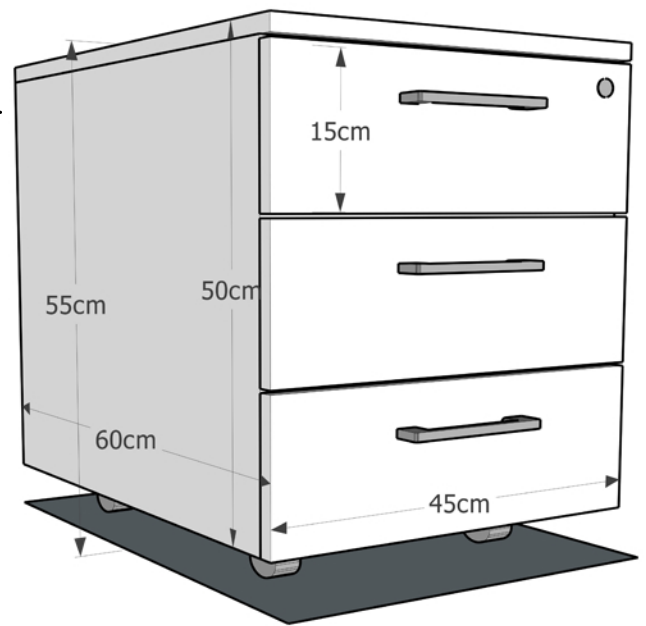
CODE: **ST01**

Drawer Unit

- Laminated particle board 18mm thickness or metal.
- Hard floor castors.
- Three drawers
- Lock (As shown in model.)

Finish & Colors

- Wood: Brown (Top & drawers front), Beige (Body).
- Metal: Beige.



Size: 60x45x55 cm.

CODE: **ST02**

Shannon

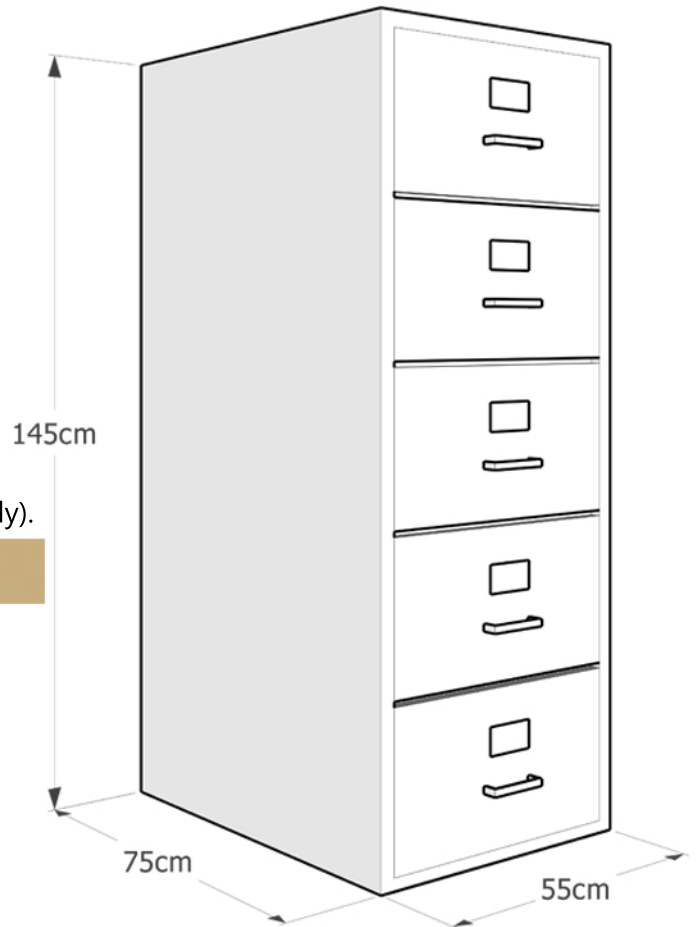
- Five drawers filling shannon.
- Can accommodate hanging files with central locking mechanism.

Finish & Colors

- Wood: Brown (Top & drawers front), Beige (Body).
- Metal: Brown.



Size: 75x55x145 cm.



CODE: **ST03**

Storage Cabinet.

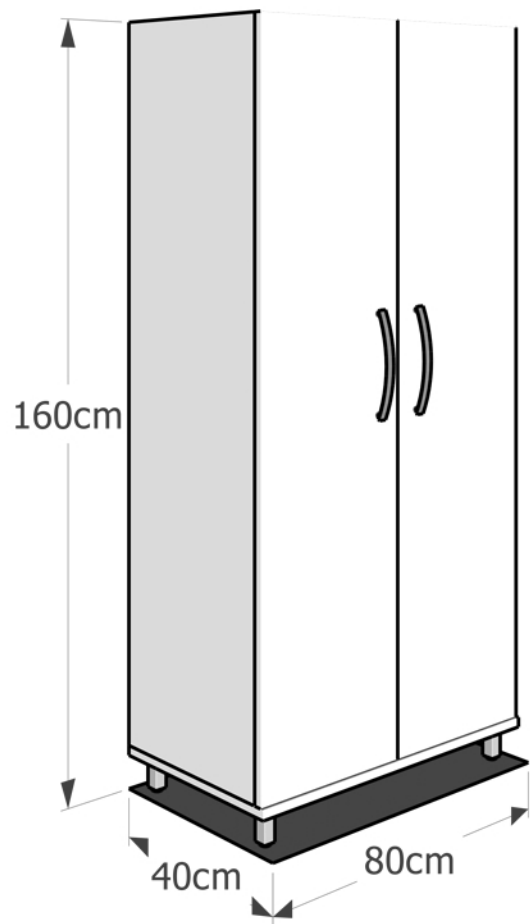
- Storage Unit made of laminated particle boards 18mm thickness, edge banded with PVC.
- Two wooden hinged doors.
- Lock.
- 4 Inner shelves.

Finish & Colors

- Wood: Brown (Top & doors), Beige (Body).
- Metal: Beige.



Size: 40x80x160 cm.



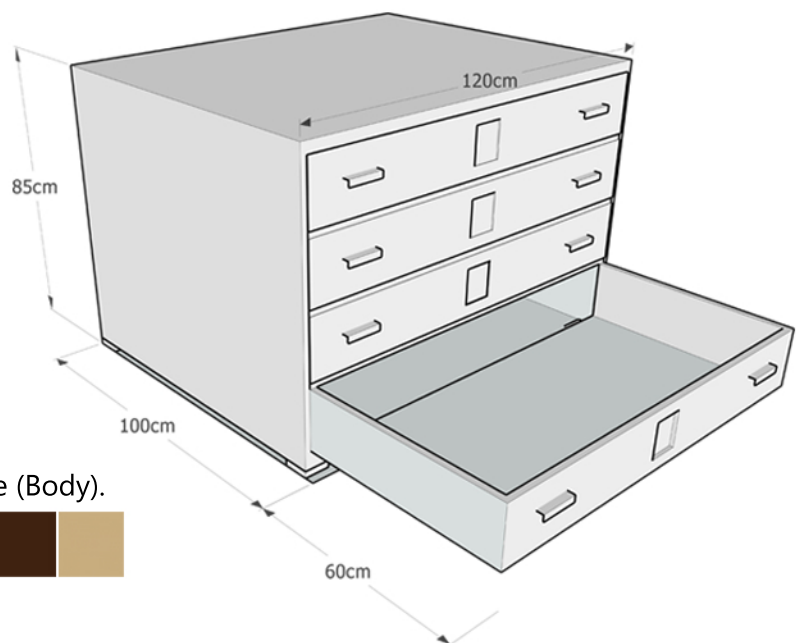
CODE: **ST04**

Maps Storage Unit

- Laminate wood/ metal Drawer stand
- Sliding drawers for A0 paper size storage
- Hard floor casors
- Lock.
- To accomodate min. 500 sheets.

Finish & Colors

- Wood: Brown (Top & drawers front), Beige (Body).
- Metal: Beige.



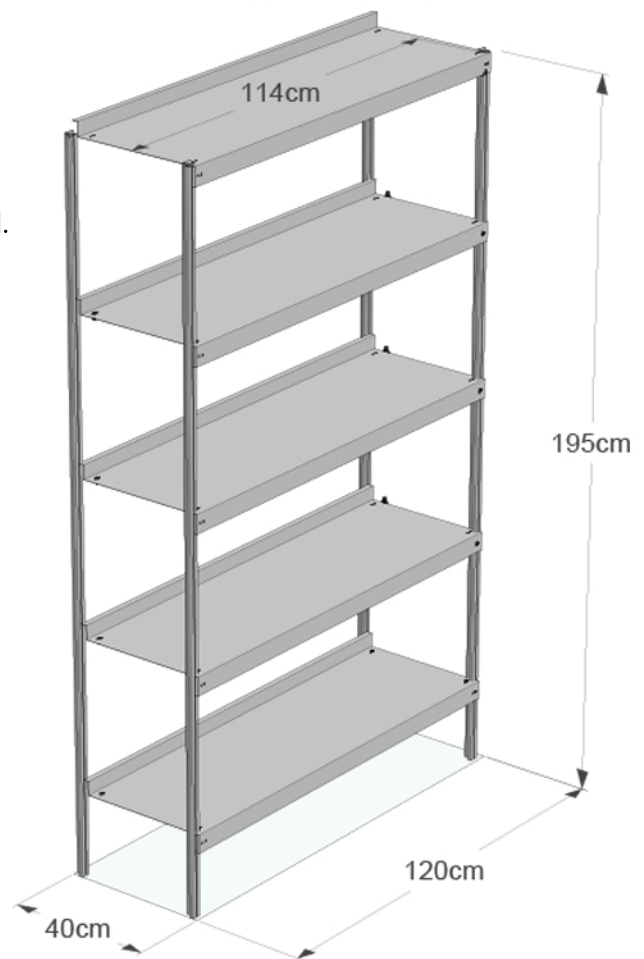
Size: 100x120x85 cm.

CODE: **ST05**

Metal Stand

- Metal rack consist of five shelves.
- Galvanized or electrostatic powder coated metal.
- Floor adjusting levelers.

Size: 40x120x195 cm.



Workstation for 4 persons

- Wooden top, made of laminated particle boards 18 mm thickness.
- Metal Structure, Electrostatic powder coated.
- Cable management is required.
- Scratch resistance.
- With Modesty Panel and screens.
- With high hanging cabinet(s) made of laminated particle boards 18 mm thickness, has one hinged door with lock, soft closing gas cylinder mechanism can be hanged on different types of walls.

Finish & Colors

- Tops: Brown.
- Structure: Beige.
- Cabinets: Door (Brown), Body (Beige).
- Screens: Beige.

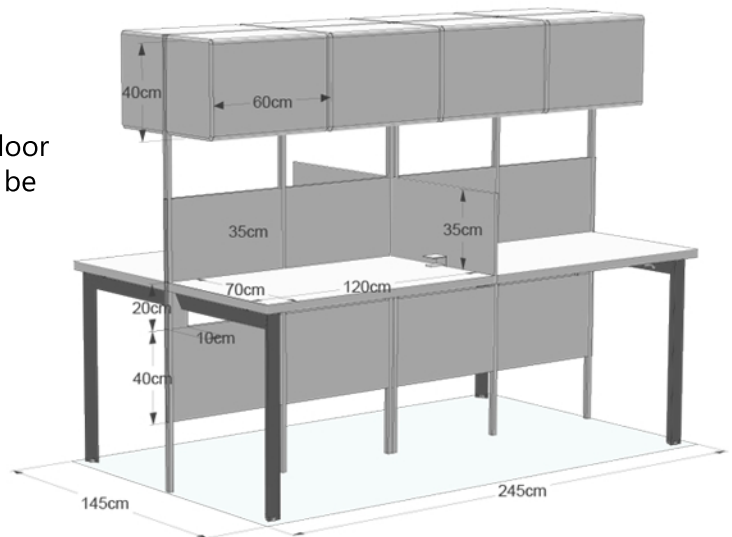


CODE: WS01 2 seats single side.

CODE: WS02 4 seats single side.

CODE: WS03 6 seats double side.

CODE: WS04 8 seats double side.



Size: 120x60 cm / seat.